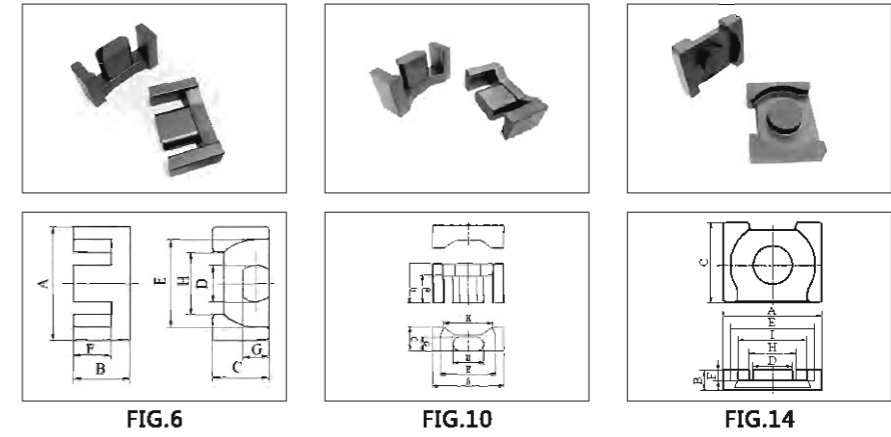
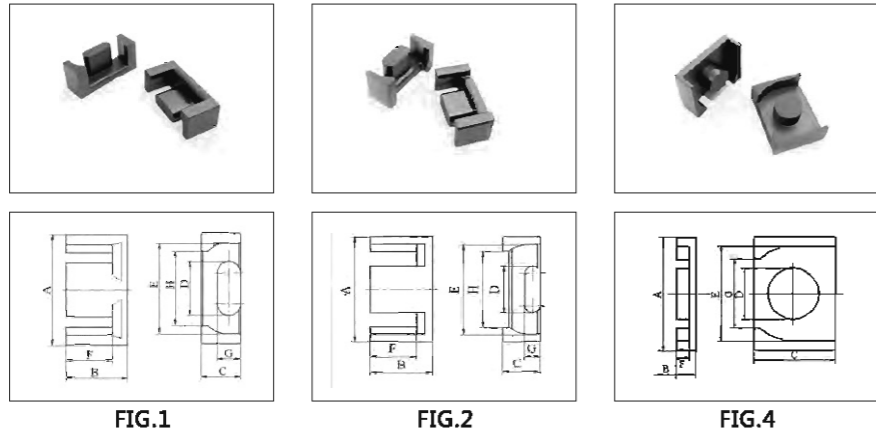


**EPC 型 / EPC Core**

型号 TYPE	图例 FIG.	尺寸 Dimensions ( mm )						
		A	B	C	D	E	F	G
EPC10I	1	10.2±0.2	4.05±0.1	3.4±0.16	5±0.1	7.6min	2.65±0.15	1.9±0.1
EPC12.3/5/9	8	12.3±0.2	2.5±0.1	9±0.2	5.6±0.15	10±0.2	1.1±0.1	
EPC12.5/8.4/8.3	9	12.5+0.3/-0.1	4.18±0.1	8.3+0.05/-0.35	4.9+0.1/-0.3	10.5min		1±0.1
EPC13/13/7	3	12.5±0.4	6.4±0.1	7.2±0.2	4.3±0.2	9.7min	4.7±0.2	
EPC12.8/8.4/8.7	4	12.8±0.3	4.2±0.1	8.7±0.25	5.5±0.15	11.2±0.3	3.1±0.15	9.05±0.3
EPC12.9/8.4/9.3	4	12.85±0.25	4.2±0.1	9.3±0.25	5.3±0.1	10.5min	3.05±0.1	
EPC13	2	13.3±0.3	6.6±0.2	4.6±0.15	5.6±0.15	10.5min	4.5±0.2	2.05±0.1
EPC13.6/13.6/4.6	2	13.6±0.3	6.8±0.2	4.6±0.15	5.6±0.15	10.8min	4.6min	2.05±0.2
EPC14	7	13.75±0.25	6.85±0.15	6.86±0.15	6.2±0.1	9.56min	4.55±0.15	5.15±0.1
EPC14.3/11/11A	8	14.3±0.25	5.5±0.075	11±0.15	7±0.15	11.6±0.25	3.1±0.15	
EPC15.3	11	15.3±0.3	6.5±0.1	3.7±0.1	7.95±0.1	12.5±0.3	4.6±0.2	1.8±0.1
EPC16A	5	16±0.3	7.5±0.2	7.5±0.2	5.8±0.2	12.5min	5.5±0.2	4.8±0.2
EPC16E	12	16±0.3	3.8±0.15	8.1±0.2	5.5±0.15	14±0.3	1.5±0.15	6.55±0.25
EPC17.4/16.2/7A	13	17.4±0.3	8.1±0.1	7±0.15	7.7±0.15	13.85min		3.8±0.1
EPC17N	2	17.5±0.3	8.4±0.1	6±0.15	7.7±0.15	14.3min	5.9±0.15	2.8±0.1
EPC17	2	17.6±0.38	8.55±0.2	6±0.15	7.7±0.15	14.3min	6.05±0.2	2.8±0.1
EPC17.6/17/6.1	2	17.6±0.3	8.5+0/-0.2	6.05±0.15	7.6±0.2	14.5min	6.05±0.2	2.8±0.1
EPC17P	2	17.6±0.3	8.1±0.2	6±0.2	7.7±0.2	14.3min	5.6±0.2	2.8±0.1
EPC17.7/10.8/12	8	17.7±0.25	5.4±0.12	12.8+0.15/-0.2	8.2+0.15/-0.2	14.7+0.25/-0.2	3+0.15/-0.07	
EPC19	2	19.1±0.48	9.75±0.2	6±0.15	8.5±0.15	15.8min	7.25±0.2	2.5±0.1
EPC19.6/19.9/6	2	19.6±0.5	9.85+0.3/-0.1	6±0.2	8.2±0.2	16.4±0.5	7.35+0.3/-0	2.4±0.15

C1	Ae	Le	Amin	Ve	AL(±25%)				重量 g / PRS
					TP4	TP4A	TP4W	TPW33	
1.93	9.20	17.71	8.32	163.00	850	870	970	1010	1.70
0.58	24.60	14.33	23.40	352.60	2200	2270	2500	2590	0.95
1.12	18.96	21.31	13.73	404.00	1270	1300	1470	1540	1.95
1.34	19.30	25.80	14.90	498.00	1230	1270	1440	1520	3.45
1.22	18.29	22.25	13.31	406.90	1200	1230	1390	1460	2.40
0.71	23.12	16.38	22.32	378.70	2380	2430	2700	2810	3.00
2.25	12.79	28.76	10.58	367.80	820	840	960	1020	2.23
2.35	12.75	29.97	10.58	382.10	800	820	940	990	2.13
1.04	27.55	28.76	24.43	792.40	1890	1940	2220	2340	4.72
0.74	34.97	25.76	30.06	900.80	2490	2560	2910	3060	5.75
2.58	11.47	29.65	9.28	340.10	700	720	830	880	2.20
1.39	25.32	35.16	22.90	890.40	1550	1600	1840	1960	4.60
0.70	28.38	19.94	22.89	565.80	2200	2250	2530	2650	3.20
1.32	27.81	36.58	27.45	1017.20	1810	1860	2160	2290	2.70
1.76	22.00	39.00	19.90	858.00	1040	1080	1250	1330	4.57
1.76	22.07	38.87	19.88	857.90	1050	1080	1250	1330	4.88
1.83	21.26	39.00	19.60	830.30	1030	1060	1230	1310	4.75
1.68	22.07	37.11	19.88	819.10	1080	1110	1290	1370	4.40
0.57	47.00	28.00	40.06	1310.00	3150	3240	3700	3900	7.55
2.06	21.82	44.91	19.91	980.00	1130	1170	1370	1460	5.80
2.10	21.62	45.44	18.44	982.30	1040	1070	1260	1340	5.50



**EPC 型 / EPC Core**

型号 TYPE	图例 FIG.	尺寸 Dimensions ( mm )							重量 g / PRS
		A	B	C	D	E	F	G	
EPC19.8/19.5/6A	2	19.8±0.48	9.75±0.2	6±0.15	8.5±0.15	16.5min	7.25±0.2	2.5±0.1	
EPC20	1	20±0.3	8.8±0.2	5.6±0.15	9.0±0.15	15.1±0.25	6.3±0.15	3.3±0.1	
EPC20.25A	1	20.25±0.3	10.25±0.15	8.8±0.2	8.95±0.15	15.45±0.3	7.55±0.2	5.5±0.15	
EPC25/13.4/20	4	25±0.45	6.7±0.15	20±0.3	10±0.3	21.7min	4.2±0.15		
EPC25	2	25.1±0.5	12.5±0.2	8.0±0.2	11.5±0.2	20.65min	9.0±0.3	4.0±0.1	
EPC25/23/7B	1	25.1±0.5	11.43±0.15	6.5±0.2	13.6±0.25	20.4min	8.78±0.15	2.5±0.15	
EPC27	2	27.1±0.5	16.0±0.2	8.0±0.2	13.0±0.3	21.6min	12.0±0.3	4.0±0.1	
EPC28/11.2/22.65A	14	28±0.6	5.6±0.15	22.65±0.4	11±0.3	24.2±0.6	3±0.15		
EPC29	2	28.6±0.5	16.9±0.25	12.4±0.25	12.0±0.25	23.2min	12.6±0.3	7.4±0.25	
EPC30	2	30.1±0.5	17.5±0.2	8.0±0.2	15.0±0.3	23.6min	13.0±0.3	4.0±0.1	
EPC37/39.6/12	10	37±0.5	19.8±0.2	12±0.3	16±0.4	28.7±0.5	14±0.2	7±0.3	
EPC39A	1	39±0.7	19.6±0.2	15.5±0.3	17.6±0.3	31.4±0.7	14.1±0.2	9.7±0.2	
EPC40.5/26.3/12A	6	40.5±0.6	23.15±0.2	12±0.3	18±0.3	31±0.6	16.15±0.25	7.5±0.25	
EPC46.5	2	46.5±0.5	22.2±0.2	19.3±0.3	20.8±0.3	37.5±0.5	15.5±0.2	11.8±0.2	
EPC54.5	1	54.5±0.7	27.2±0.4	21.5±0.2	26.5±0.3	43.5±0.7	19.2±0.3	14±0.2	

H	C1	Ae	Le	Amin	Ve	AL(±25%)				重量 g / PRS
						TP4	TP4A	TP4W	TPW33	
	2.08	21.95	45.56	19.91	1000.0	1120	1160	1350	1440	5.20
13±0.25	1.45	27.36	39.73	23.05	1086.9	1430	1480	1720	1830	5.70
13.35±0.3	1.09	42.09	45.72	33.16	1924.5	1860	1920	2250	2400	10.00
	0.32	90.85	29.12	78.54	2645.8	6020	6190	7090	7480	11.65
17.1min	1.32	43.01	56.84	41.72	2444.6	1650	1710	2020	2160	15.00
16.5min	1.59	32.79	52.30	27.36	1715.0	1390	1430	1690	1810	9.97
18.5min	1.42	49.23	70.10	48.57	3451.0	1630	1690	2010	2160	22.40
13.1±0.5	0.34	106.00	37.00	95.03	3885.0	5170	5330	6180	6560	20.00
	0.89	83.03	74.16	77.05	6157.7	2470	2550	3050	3290	35.50
20min	1.31	57.67	75.58	56.57	4358.6	1780	1850	2210	2380	23.00
25.5±0.5	0.82	106.40	86.97	101.48	9253.2	2850	2950	3540	3820	48.00
24.7min	0.60	147.50	87.85	139.61	12958.3	3880	4020	4840	5220	72.00
26.3min	0.76	128.93	98.20	122.93	12661.2	3110	3220	3890	4200	64.46
30.2±0.5	0.46	216.31	100.16	206.68	21665.2	5140	5330	6430	6950	121.00
35±0.7	0.39	305.05	119.03	282.60	36309.8	6040	6270	7610	8250	202.00