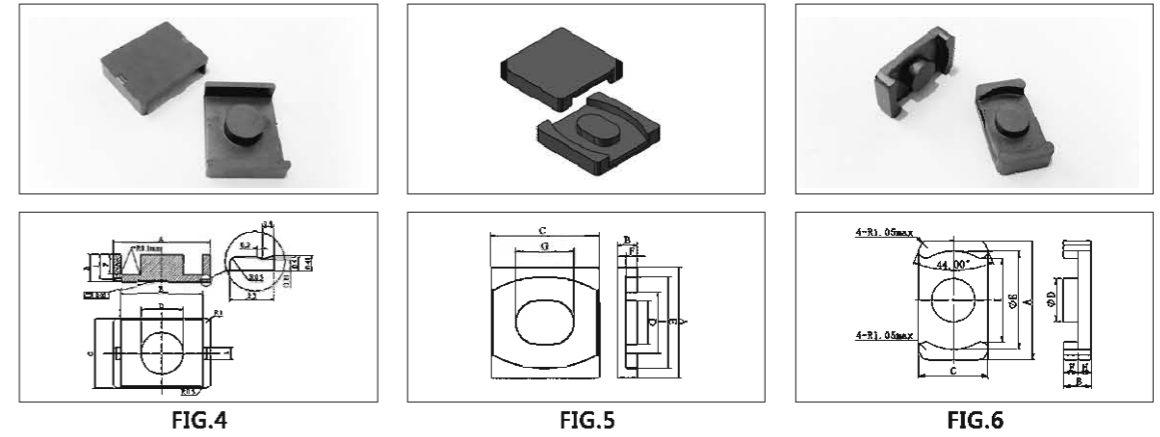
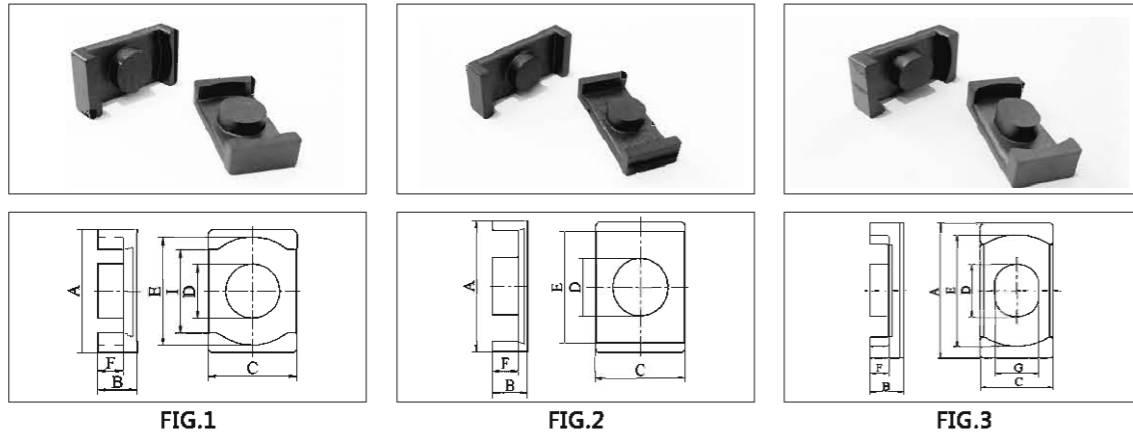


ER 型 / ER Core

型号 TYPE	图例 FIG.	尺寸 Dimensions ( mm )					
		A	B	C	D	E	F
ER7.5/5/4B	1	7.5±0.15	2.55±0.1	4.0±0.1	2.6±0.1	6.1±0.25	1.725±0.1
ER9.5/5/5S	1	9.35±0.2	2.45±0.05	4.9±0.1	3.4±0.1	7.65±0.15	1.675±0.1
ER9.5/5/5K	1	9.5max	2.45±0.05	5max	3.5max	7.42min	1.675±0.075
ER11/5/6I	1	10.8±0.2	2.35±0.05	5.9±0.1	4.15±0.15	8.85±0.15	1.475±0.1
ER11/5/6J	1	10.8±0.2	2.45±0.05	5.9±0.15	4.15±0.15	8.85±0.15	1.575±0.1
ER12.7/6/6.1	1	12.7±0.3	3±0.1	6.1±0.2	4.1±0.18	10.3±0.3	1.95±0.15/-0.1
ER12.8/6.4/8.7A	1	12.8±0.3	3.2±0.1	8.7±0.25	5±0.15	11.2±0.3	2.2±0.1
ER13/6/9A	1	12.8±0.3	2.85±0.075	8.7±0.25	5.0±0.15	11.2±0.3	1.75±0.125
ER14.5/6/7	2	14.5±0.2	2.95±0.1	6.7±0.1	4.7±0.1	11.8±0.2	1.65±0.1
ER14.6/8.5/9.3	1	14.6±0.25	4.25±0.1	9.4+0/-0.3	6+0/-0.2	12.15min	2.45±0.15
ER17.1/7.3/9.8	6	17.4+0/-0.6	3.56+0.2/-0	10.14+0/-0.6	6.4+0/-0.2	13.71+0.6/-0	1.46+0.25/-0
ER18/6/10A	1	18±0.35	3.15±0.1	9.7±0.2	6.2±0.15	15.15min	1.7±0.15
ER19.3/23.4/14.6A	1	19.3±0.35	11.68±0.08	14.6±0.35	7.62±0.15	16.76+0.35/-0.3	9.88±0.15
ER19.3/8/15B	1	19.3±0.35	4.19±0.08	14.6±0.35	7.62±0.15	16.76±0.25	2.24min
ER19/10/15A	1	19.3±0.35	4.83±0.08	14.6±0.35	7.62±0.15	16.76±0.25	2.88min
ER20/10/11	2	20±0.3	4.75±0.1	11±0.2	8.8±0.15	15±0.3	2.35±0.15
ER20/10/14	1	20.0±0.35	5.1±0.1	14.0±0.3	8.8±0.15	18.0±0.35	2.9±0.15
ER20/11.4/14	1	20±0.35	5.7±0.15	14±0.3	8.8±0.2	18±0.35	3.5±0.2
ER20/13/14A	1	20.0±0.35	6.3±0.15	14.0±0.3	8.8±0.2	18.0±0.35	4.1±0.2
ER20/8.3/14B	1	20±0.35	4.15±0.1	14±0.3	8.8±0.15	18±0.35	1.95±0.15
ER20.6/9/10	3	20.6±0.4	4.6+0.4/-0	10±0.2	8+0/-0.4	17±0.4	2.6+0.4/-0

I	C1	Ae	Le	Amin	Ve	AL(±25%)				重量 g / PRS
						TP4	TP4A	TP4W	TPW33	
	2.04	6.24	12.72	5.31	79.4	670	670	730	795	0.42
7.0min	1.67	8.47	14.20	7.60	120.0	900	900	950	1200	0.82
7.01min	1.37	9.65	13.20	7.75	127.4	900	900	950	1200	0.63
7.9MIN	1.09	12.53	13.66	10.33	171.2	1200	1250	1350	1450	0.94
7.9MIN	1.12	12.58	14.05	10.33	176.8	1200	1250	1350	1450	0.95
9±0.3	1.25	14.1	17.69	12.81	249.4	1800	1850	2100	2300	1.30
9.05±0.3	0.89	20.23	17.91	17.40	362.3	1800	1850	2100	2300	1.80
9.05±0.3	0.78	20.85	16.36	19.14	341.1	1850	1900	2100	2200	1.80
	0.98	18.44	18.12	17.35	334.1	1470	1500	1670	1750	2.11
	0.52	31.16	16.35	27.34	509.3	2440	2490	2760	2870	1.95
	0.53	37.76	19.86	31.17	749.8	2510	2560	2880	3010	3.95
	0.70	30.11	21.00	28.13	632.4	2190	2400	2520	3000	3.46
	0.95	53.85	51.10	45.60	2751.8	1960	2030	2380	2550	15.00
		50.97	29.21	45.50	1540.0	3480	3480	3824	4038	8.00
15.5±0.25	0.48	52.95	25.45	45.60	1610.0	3170	3260	3700	3890	8.00
	0.46	55.54	25.39	52.80	1410.3	3680	3770	4290	4520	7.40
12.86±0.35	0.45	59.45	26.90	56.44	1599.1	3790	3900	4440	4680	8.50
12.86±0.35	0.49	59.37	29.30	56.44	1739.2	3590	3690	4230	4470	9.80
12.86±0.35	0.53	59.3	31.69	56.44	1879.3	3410	3510	4040	4270	9.93
12.86±0.35	0.32	59.86	19.21	56.44	1150.1	4620	4730	5290	5530	8.00
	0.67	41.67	27.75	40.00	1156.4	2640	2710	3090	3260	6.00



ER型 / ER Core

型号 TYPE	图例 FIG.	尺寸 Dimensions (mm)					
		A	B	C	D	E	F
ER21.4/16.2/14	1	21.4±0.4	8.1±0.15	14±0.25	9±0.2	17.7min	5.6±0.15
ER23.2/10.4/12.5A	1	23.2±0.45	5.2±0.1	12.5±0.25	8±0.2	20.2±0.4	3.2±0.1
ER24.5/8.8/24	5	24.5±0.4	4.4±0.1	24±0.4	9.8±0.25	20.5±0.4	2.4±0.15
ER25/10.8/18A	1	25±0.4	5.4±0.15	18±0.3	11±0.2	22±0.4	3.35±0.15
ER25/10/18	1	25±0.4	4.9±0.1	18±0.3	11±0.2	22±0.4	2.05±0.15
ER25/11.4/14.8	1	25±0.5	5.7±0.15	14.8±0.3	9.4±0.2	21.7±0.4	3.3±0.2
ER25/11/18A	1	25±0.4	5.6±0.1	18±0.3	11±0.2	22±0.4	3.2±0.15
ER25/12.6/18	1	25±0.4	6.2±0.25/-0.15	18±0.3	11±0.2	22±0.4	3.35±0.15
ER25/16/18A	1	25.0±0.4	8±0.2	18.0±0.3	11.0±0.2	22.0±0.4	5.15±0.15
ER25/9/20H	4	25.0±0.3	4.62±0.1	20±0.25	9.8±0.15	21.2±0.25	2.72±0.1
ER25.4/10.5/10B	1	25.4±0.4	5.25±0.1	10±0.15	8.3±0.15	18.6±0.4	3.15±0.15
ER25.4/10/10	1	25.4±0.4	5.15±0.1	10±0.15	8.3±0.15	18.6±0.4	3.05±0.15
ER25.4/14/19	2	25.4±0.5	7±0.15	19±0.35	10±0.2/-0.3	20.4±0.4	4.6±0.1
ER30/13/20C	1	30±0.4	6.7±0.2	20±0.3	11±0.2	26±0.4	4±0.2
ER30/16/20E	1	30.0±0.5	8.3±0.25	20.0±0.4	11.0±0.2	25.6min	5.7±0.2
ER30/16/20V	1	30±0.4	8±0.15	20±0.3	11.0±0.2	26±0.4	5.3±0.2

I	C1	Ae	Le	Amin	Ve	AL(±25%)				重量 g / PRS
						TP4	TP4A	TP4W	TPW33	
13.5min	0.55	69.25	38.43	63.62	2661.7	3370	3470	4040	4290	14.30
	0.61	51.32	31.56	50.00	1619.5	3030	3120	3590	3790	5.43
13.6min	0.29	98.32	28.64	96.00	2815.6	6200	6370	7290	7690	14.50
	0.34	90.33	30.59	73.80	2763.2	4570	4700	5390	5700	15.00
	0.27	100.74	26.87	95.03	2706.9	6390	6560	7480	7890	15.60
	0.46	71.88	32.96	69.40	2369.3	4090	4210	4850	5130	6.30
14.5min	0.32	95.08	30.71	86.40	2919.9	5330	5480	6300	6660	16.40
	0.32	101.36	32.18	95.03	3261.4	5690	5850	6740	7130	18.40
4.22±0.15	0.39	100.25	39.24	95.03	3934	4960	5110	5950	6320	21.50
	0.41	75.85	31.34	75.43	2377.4	4600	4730	5430	5750	13.00
	0.59	51.43	30.52	42.00	1569.4	2600	2680	3070	3250	9.07
	0.59	51.00	30.00	42.00	1547	2630	2710	3100	3280	9.00
19.6min	0.45	86.95	39.00	77.76	3391.1	4080	4200	4890	5190	18.00
	0.35	109.90	38.15	95.03	4192.7	5060	5220	6060	6430	24.00
	0.41	108.02	44.73	95.03	4831.2	4520	4660	5450	5810	27.90
	0.39	109.76	43.18	95.03	4739.9	4630	4780	5580	5950	27.00

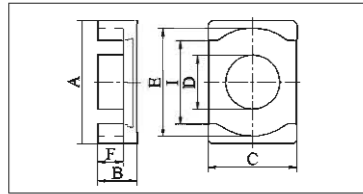
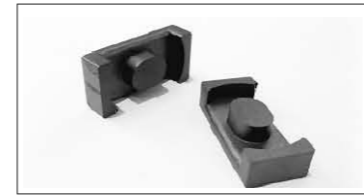


FIG.1

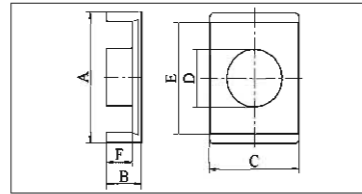


FIG.2

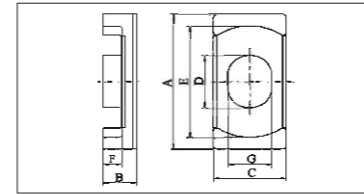


FIG.3

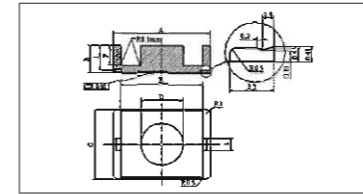
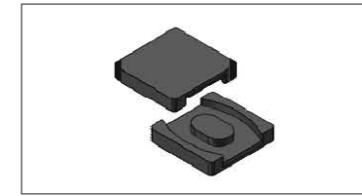
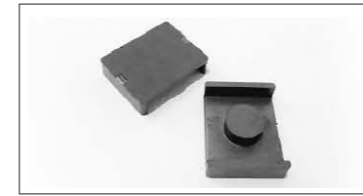


FIG.4

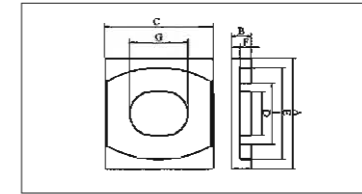


FIG.5

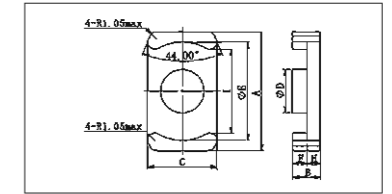


FIG.6

**ER型 / ER Core**

型号 TYPE	图例 FIG.	尺寸 Dimensions (mm)					
		A	B	C	D	E	F
ER32.2/14.4/22A	1	32.2±0.5	7.22±0.125	22±0.3	11±0.15	29±0.4	2.3±0.15

C1	Ae	Le	Amin	Ve	AL(±25%)				重量 g /PRS
					TP4	TP4A	TP4W	TPW33	
0.38	109.88	47.80	97.60	4702.9	4790	4940	5770	6140	27.27

