

FIG.1

FIG.2

FIG.3

FIG.4

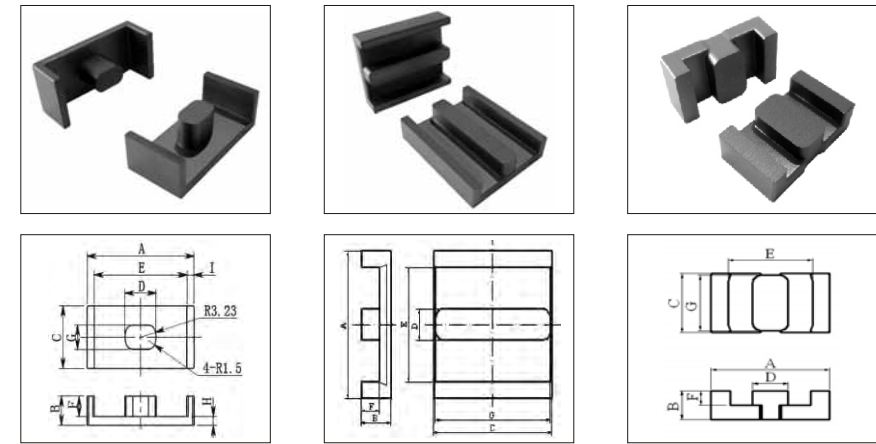


FIG.5

FIG.6

FIG.7

ED 型 / ED Core

| 型号 TYPE | 图例 FIG. | 尺寸 Dimensions (mm) | | | | | | | | |
|-------------------|------------|----------------------|------------|--------------|-----------------|---------------|---------------|----------------|-----------|------------|
| | | A | B | C | D | E | F | G | H | I |
| ED12.7/10.5/25.3 | 1 | 12.7+0.4/-0.2 | 5.25±0.15 | 25.30±0.40 | 3.00±0.15 | 9.60±0.25 | 3.55±0.15 | 22.00±0.30 | 1.70±0.15 | 20.20±0.30 |
| ED12.8/10.2/25.3 | 1 | 12.80±0.30 | 5.10±0.15 | 25.30±0.40 | 3.00±0.15 | 9.60±0.25 | | 22.00±0.30 | 1.70±0.15 | 20.20±0.30 |
| ED12.8/10.4/25.3 | 1 | 12.80±0.30 | 5.20±0.10 | 25.30±0.40 | 3.00±0.15 | 9.60±0.25 | | 22.00±0.30 | 1.70±0.15 | 20.20±0.30 |
| ED13.3/9.4/28 | 1 | 13.30±0.30 | 4.70±0.15 | 28.00±0.40 | 3.30±0.15 | 10.10±0.25 | 3.00±0.15 | 25.90±0.40 | 1.70±0.15 | 22.60±0.30 |
| ED13.6/10.5/25.3A | 1 | 13.60±0.30 | 5.25±0.15 | 25.30±0.40 | 3.00±0.15 | 10.4+0.2/-0.3 | 3.55±0.15 | 22.00±0.30 | 1.70±0.15 | 20.20±0.30 |
| ED16.4/11.4/6 | 2 | 16.40±0.30 | 5.70±0.10 | 6.00±0.25 | 4.60±0.15 | 12.20±0.30 | 3.70±0.12 | | | |
| ED16.7/12.6/10.2 | 3 | 16.70±0.30 | 6.30±0.10 | 10.20±0.25 | 5.00±0.15 | 12.60±0.30 | 4.30±0.15 | 9.40±0.20 | | |
| ED17/12.9/12 | 4 | 17.00±0.30 | 6.45±0.10 | 12.00±0.30 | 5.20±0.20 | 13.4+0.5/-0 | 4.5+0.3/-0 | 1.68±0.25 | 1.80±0.10 | 11min |
| ED18/7/17.3 | 3 | 18.00±0.20 | 3.52±0.10 | 17.30±0.20 | 5.40±0.10 | 14.40±0.20 | 1.92±0.15 | 9.60±0.15 | | |
| ED18.3/13.4/11.2 | 3 | 18.30±0.30 | 6.70±0.10 | 11.20±0.25 | 5.40±0.15 | 13.80±0.30 | 4.60±0.12 | 10.70±0.20 | | |
| ED22.2/14/10.8 | 5 | 22.20±0.60 | 7.00±0.10 | 10.80±0.20 | 6.45±0.15 | 18.90min | 5.50±0.15 | 4.15±0.15 | | |
| ED25/14/30 | 6 | 25.4+0/-0.6 | 6.90±0.12 | 29.75+0.7/-0 | 5.15+0.1/-0.2 | 20.4+0/-0.6 | 4.40±0.15 | 28.75+0.6/-0 | | 1.4min |
| ED26/10/25E | 6 | 25.70±0.35 | 5.40±0.10 | 25.35±0.35 | 6.50±0.20 | 19.50+0.35 | 3.1+0.15/-0.1 | 24.35±0.35 | | |
| ED25.8/15/15.1 | 7 | 25.80±0.30 | 7.50±0.10 | 15+0.3/-0.15 | 7.75+0.23/-0.15 | 18.30±0.30 | 3.95±0.15 | 14.1+0.2/-0.15 | | |
| ED25.7/14/30.1 | 6 | 26+0/-0.6 | 6.9+0.2/-0 | 29.75+0.6/-0 | 5.15±0.20 | 21.00+0/-0.6 | 4.40+0.2/-0.1 | 28.75+0.6/-0 | | |
| ED26/13/30C | 6 | 26+0/-0.6 | 6.90±0.12 | 29.75+0.7/-0 | 5.15±0.20 | 21.00+0/-0.6 | 4.40±0.15 | 28.75+0.6/-0 | | |
| ED26/17/25B | 6 | 26+0/-0.7 | 8.70±0.20 | 25.00+0.7/-0 | 6.50±0.20 | 19.8+0/-0.6 | 5.60±0.20 | 24.00+0.7/-0 | | |

| C1 | Ae | Le | Amin | Ve | AL(±25%) | | | | 重量 g / PRS |
|------|--------|-------|--------|---------|----------|------|------|-------|---------------|
| | | | | | TP4 | TP4A | TP4W | TPW33 | |
| 0.34 | 75.24 | 25.80 | 64.01 | 1941.30 | 4700 | 4700 | 5150 | 5500 | 10.20 |
| 0.33 | 75.37 | 25.21 | 64.01 | 1900.10 | 4900 | 4950 | 5222 | 6400 | 9.80 |
| 0.36 | 72.42 | 26.24 | 64.01 | 1899.90 | 4850 | 4900 | 5108 | 5380 | 10.30 |
| 0.27 | 89.24 | 23.93 | 83.13 | 2135.43 | 6000 | 6000 | 6975 | 7330 | 10.50 |
| 0.35 | 74.64 | 26.32 | 64.07 | 1964.78 | 5100 | 5150 | | | 10.34 |
| 1.11 | 25.58 | 28.45 | 23.06 | 727.80 | 1500 | 1550 | 1750 | 1850 | 3.60 |
| 0.78 | 41.38 | 32.07 | 40.80 | 1327.10 | 2450 | 2500 | 2900 | 3070 | 6.70 |
| 0.79 | 41.39 | 32.83 | 36.84 | 1358.90 | 2600 | 2700 | | | 7.00 |
| 0.43 | 52.28 | 22.52 | 45.25 | 1177.30 | 3900 | 4000 | 4528 | 4750 | 6.80 |
| 0.66 | 51.41 | 33.73 | 48.72 | 1734.10 | 2850 | 2900 | 3360 | 3650 | 8.61 |
| 1.43 | 28.02 | 39.99 | 24.24 | 1120.50 | 1350 | 1400 | 1500 | 1600 | 6.43 |
| 0.27 | 149.85 | 40.60 | 148.09 | 6083.90 | 7550 | 7600 | 9060 | 9650 | 30.20 |
| 0.26 | 128.85 | 34.02 | 115.09 | 4383.90 | 6650 | 6750 | 7910 | 8650 | 27.60 |
| 0.34 | 110.60 | 37.78 | 106.64 | 4178.49 | 5720 | 5890 | 6840 | 7270 | 10.35 |
| 0.27 | 151.24 | 41.46 | 148.75 | 6270.00 | 7470 | 7600 | 8980 | 9560 | 30.95 |
| 0.28 | 146.10 | 40.46 | 145.00 | 5910.40 | 7450 | 7600 | 8950 | 9500 | 30.95 |
| 0.29 | 152.65 | 44.82 | 149.75 | 6841.00 | 7350 | 7400 | 8570 | 9150 | 35.50 |

