

FIG.1

EE 型 / EE Core

型号 TYPE	图例 FIG.	尺寸 Dimensions (mm)					
		A	B	C	D	E	F
EE5/5/2A	1	5.25±0.10	2.65±0.10	1.95±0.10	1.35±0.10	3.8min	2.00±0.10
EE6.25/7/2	1	6.25±0.15	3.65±0.05	2+0/-0.1	1.4+0/-0.1	4.8min	2.9+0.15/-0
EE6.3/6.7/1.2	1	6.30±0.30	3.35±0.10	1.20±0.20	1.75±0.20	4.2min	2.10±0.10
EE6.3/6/2M	1	6.3+0/-0.25	2.80±0.20	1.90±0.20	1.35±0.15	3.6min	2.00±0.20
EE8.3/8/2I	1	8.30±0.30	4.20±0.15	2.30±0.15	2+0/-0.3	6.3+0.3/-0.2	3.20±0.15
EE8.3/8/4CQ	1	8.30±0.20	4.00±0.15	3.60±0.15	2+0/-0.3	6.30±0.20	3.00±0.10
EE8.3/8/4F	1	8.30±0.20	4.00±0.10	3.90±0.15	2+0/-0.3	6.30±0.20	3.00±0.10
EE8.4/10.6/3.9A	1	8.40±0.20	5.30±0.15	3.85±0.15	1.85±0.15	6.2min	4.20±0.15
EE9/8/2	1	9.00±0.25	4.00±0.10	1.95±0.05	1.90±0.12	5.20±0.13	2.03+0.25/-0

C1	Ae	Le	Amin	Ve	AL(±25%)				重量 g /PRS
					TP4	TP4A	TP4W	TPW33	
4.85	2.60	12.63	2.53	32.80	260	265	290	295	0.16
6.78	2.60	17.59	2.53	45.70	220	230	250	260	0.20
6.17	2.31	14.27	2.10	33.00	200	210	230	240	0.18
4.01	3.09	12.39	2.56	38.30	260	265	290	300	0.24
4.59	4.43	20.34	4.25	90.10	340	350	390	410	0.40
2.79	7.00	19.51	6.66	136.60	550	555	620	650	0.82
2.57	7.58	19.51	7.21	147.90	590	600	670	710	0.77
3.22	7.62	24.50	7.12	186.70	510	530	600	630	0.94
3.01	5.14	15.47	3.70	79.50	500	510	570	590	0.54

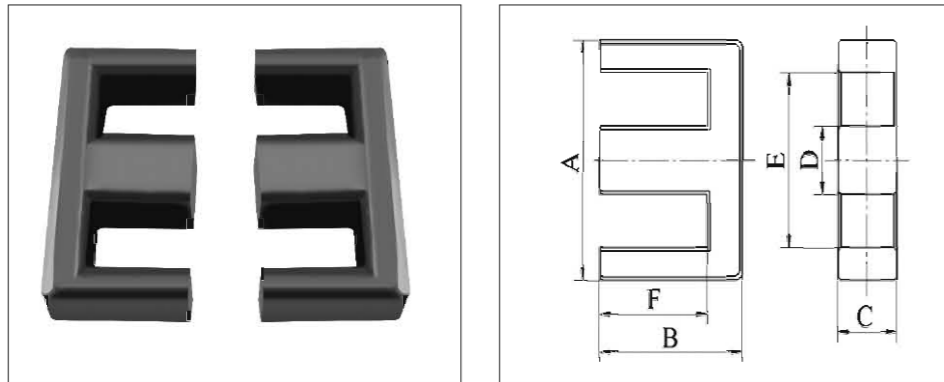


FIG.1

EE 型 / EE Core

型号 TYPE	图例 FIG.	尺寸 Dimensions (mm)					
		A	B	C	D	E	F
EE13/12/6A	1	13.00±0.40	6.05±0.15	5.90±0.30	2.60±0.20	9.8min	4.70±0.20
EE13/12/8A	1	13.00±0.30	6.20±0.20	8.00±0.20	3.00±0.15		4.70±0.20
EE13/13/13	1	13.00±0.30	6.60±0.20	13.0±0.20	3.60±0.20	8.5min	4.75±0.20
EE13.1/13/4	1	13.10±0.50	6.40±0.20	3.60±0.20	3.70±0.20	9.2min	4.65±0.30
EE13.2/24.1/2.7	1	13.20±0.25	12.05±0.15	2.70±0.15	3.65±0.10	9.20±0.25	10.05±0.15
EE13.2/24.1/3.4	1	13.20±0.25	12.05±0.15	3.42±0.13	3.65±0.10	9.20±0.25	10.05±0.15
EE13.5/13/6B	1	13.50±0.35	6.35±0.15	6.00±0.20	2.80±0.20	10.60±0.30	4.75±0.15
EE14/7/5CA	1	14.00±0.30	3.50±0.10	5.00±0.15	3.00±0.30	10.52min	1.9min
EE14.2/11.8/4.4	1	14.20±0.30	5.90±0.10	4.40+0.10/-0.15	4.40±0.10	9.6min	3.70±0.15
EE14.3/11/6.2	1	14.30±0.25	5.50±0.15	6.20±0.15	3.00±0.15	11min	4.15±0.15
EE15/7/10	1	15.00±0.30	3.50±0.20	10.2+0.2/-0.4	3.15±0.15	11.7min	2.40±0.15
EE15/38/6A	1	15.10±0.30	19.20±0.20	5.50±0.20	4.00±0.20	10.70±0.30	16.95±0.20
EE15.8/13.8/21.8	2	15.80±0.40	6.90±0.15	21.80±0.40	3.60±0.20	11.4min	4.90±0.15

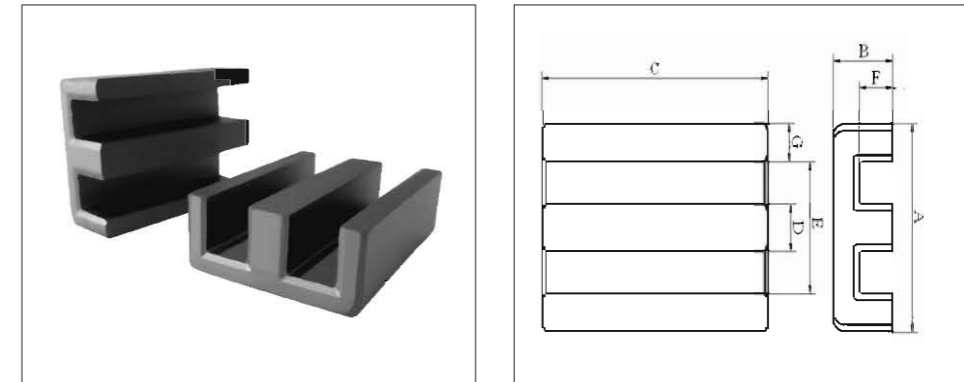


FIG.2

C1	Ae	Le	Amin	Ve	AL(±25%)				重量 g /PRS
					TP4	TP4A	TP4W	TPW33	
1.92	15.90	30.61	15.34	486.80	950	980	1130	1150	1.20
1.27	24.00	30.51	24.00	732.30	1500	1530	1750	1850	4.10
0.60	49.58	30.04	46.80	1489.40	2950	3000	3450	3650	2.52
2.37	12.70	30.10	12.24	382.30	770	790	910	960	1.95
5.02	10.32	51.85	9.85	535.00	420	450	520	550	2.58
3.94	13.13	51.80	12.48	680.10	540	550	650	700	3.40
1.78	17.69	31.47	16.80	556.70	1050	1100	1210	1280	2.80
1.35	15.26	20.61	15.00	314.50	1190	1210	1340	1450	1.40
1.42	19.12	27.17	18.83	519.50	1290	1300	1450	1560	2.60
1.63	17.94	29.27	16.74	525.10	1080	1100	1250	1350	2.80
0.86	25.58	22.08	22.22	564.90	1700	1750	1950	2050	3.30
3.50	23.20	81.14	22.00	1882.40	650	680	810	870	9.30
0.40	83.92	33.85	78.48	2840.60	4540	4680	5400	5700	14.00

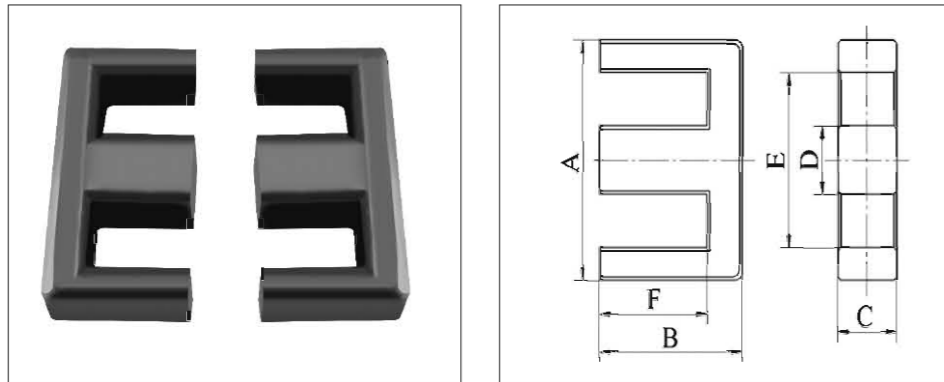


FIG.1

EE 型 / EE Core

型号 TYPE	图例 FIG.	尺寸 Dimensions (mm)					
		A	B	C	D	E	F
EE16/25/5A	1	16.00±0.40	12.40±0.30	5.1+0/-0.4	4.00±0.20	11.7min	10.4±0.3
EE16/9/10E	1	16.00±0.30	4.60±0.10	10.2+0.2/-0.3	4.15±0.20	11.7min	
EE16.1/12.7/7.2A	1	16.10±0.30	6.35+0.2/-0.1	7.20±0.20	4.55±0.20	11.4min	3.85+0.2/-0.1
EE16.1/14.4/4.7A	1	16.10±0.30	7.20±0.15	4.0±0.04	4.00±0.20	11.7min	5.2±0.2/0

C1	Ae	Le	Amin	Ve	AL(±25%)				重量 g / PRS
					TP4	TP4A	TP4W	TPW33	
2.88	19.40	55.94	19.11	1085.20	770	800	950	1000	5.27
0.59	41.46	24.47	40.60	1014.40	2900	2970	3400	3500	5.20
0.91	33.31	30.15	31.68	1004.40	2000	2050	2350	2500	4.33
1.02	19.47	35.42	17.20	654.40	600	1000	1170	1250	3.90

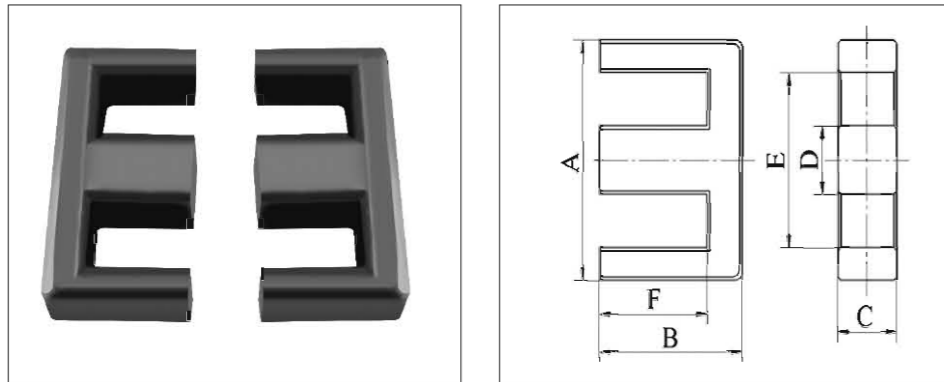


FIG.1

EE 型 / EE Core

型号 TYPE	图例 FIG.	尺寸 Dimensions (mm)					
		A	B	C	D	E	F
EE19/16/5A	1	19.00±0.40	8.00±0.30	5+0.1/-0.5	5+0/-0.5	13.8min	5.6+0.4/-0.1
EE19/16/10	1	19.05±0.40	8.10±0.25	9.50±0.20	4.75±0.25	14.2min	5.69±0.20
EE19.1/16.1/7.6B	1	19.10±0.30	8.025±0.15	7.60±0.25	5+0/-0.5	14.5±0.3	5.725+0.15/-0.1
EE19.1/20.3/5A	1	19.10±0.40	10.15±0.15	5.00±0.20	4.55±0.20	14.5±0.4	7.80±0.15
EE19/27/5A	1	19.20±0.40	13.60±0.30	5.1+0/-0.5	5.1+0/-0.5	14min	11.30±0.30
EE19.5/10/6.5	1	19.50±0.30	5.2+0.15/-0	6.50±0.25	4.75±0.20	15.00±0.30	
EE19/26/5A	1	19.50±0.30	13.30±0.30	5.0+0.2/-0.3	5.1+0/-0.5	14.3min	10.90±0.20
EE20.1/18.5/5.7	1	20+0.8/-0.6	9.45+0/-0.4	5.9+0/-0.5	5.9+0/-0.4	14.1min	6.25+0.4/-0
EE20/18/11N	1	20.0+0.8/-0.7	9.3+0/-0.8	11.0+0/-0.5	5.9+0/-0.4	14.1min	6.1+0.4/-0
EE20/18/6J	1	20.0+0.8/-0.6	9.3+0/-0.4	5.9+0/-0.5	5.9+0/-0.4	14.1+0.6/-0	6.1+0.4/-0
EE20/19.2/12A	1	20+0.4/-0.2	9.60±0.20	12.00±0.20	5.80±0.20	13.6min	6.70±0.20
EE20/20/11M	1	20.00+0.8/-0.6	10.2+0/-0.4	11+0/-0.5	5.9+0/-0.4	14.1+0.6/-0	7.0+0.4/-0
EE20/20/6E	1	20.00±0.60	9.90±0.20	5.65±0.25	5.70±0.20	14.1min	7.20±0.20

C1	Ae	Le	Amin	Ve	AL(±25%)				重量 g / PRS
					TP4	TP4A	TP4W	TPW33	
1.77	22.46	39.71	21.60	891.90	1100	1160	1350	1430	4.40
0.90	44.32	39.97	42.28	1771.30	2170	2250	2600	2800	8.92
1.13	35.42	39.91	34.58	1413.56	1800	1850	2150	2270	6.50
2.10	23.04	48.43	22.75	1115.80	1020	1060	1250	1320	5.40
2.68	23.15	62.13	22.31	1438.30	830	860	1050	1100	7.09
1.01	29.34	29.62	28.60	868.90	1820	1860	2150	2300	4.50
2.53	24.05	60.95	23.76	1465.70	890	920	1100	1180	7.60
1.37	31.63	43.49	31.08	1375.50	1500	1560	1820	1940	6.92
0.74	57.35	42.67	55.36	2446.80	2720	2800	3270	3500	13.00
1.34	32.03	42.77	31.64	1370.00	1560	1600	1880	2000	7.15
0.62	70.81	44.21	69.60	3130.20	3340	3450	4020	4300	15.50
0.76	60.96	46.37	60.20	2826.90	2780	2850	3400	3600	12.60
1.50	30.86	46.32	29.95	1429.40	1380	1450	1700	1800	7.40

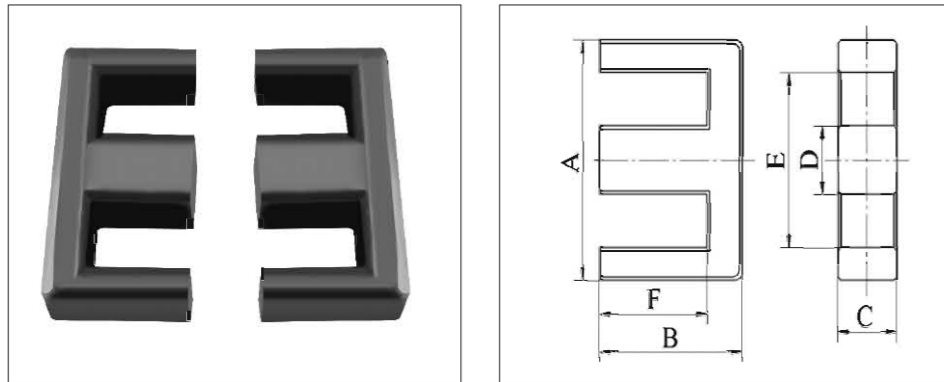


FIG.1

EE 型 / EE Core

型号 TYPE	图例 FIG.	尺寸 Dimensions (mm)					
		A	B	C	D	E	F
EE20.3/13/15A	1	20.3+0.8/-0.4	6.25+0.25/-0	15+0/-0.4	5+0/-0.3	15.4+0.6/-0	3.95±0.15
EE20.4/19.8/5.7	1	20.4+0/-0.8	9.90±0.20	5.7+0.15/-0.2	5.7+0.15/-0.2	14.4+0.4/-0.2	7.2+0.2/-0
EE20/19.8/5.7	1	20.4+0/-0.8	9.90±0.20	5.65±0.25	5.70±0.20	14.2min	7.20±0.20
EE20.5/12.8/14.8	1	20.50±0.60		15+0/-0.4	5+0/-0.3	15.70±0.30	
EE20.5/19.8/5.7	1	20.50±0.25	9.90±0.20	5.65±0.25	5.7±0.2	15.00±0.25	7.20±0.20
EE20.5/21.6/7	1	20.5+0.4/-0.5	10.80±0.20	7.00±0.30	5.00±0.30	14.7min	7.1+0.2/-0.15

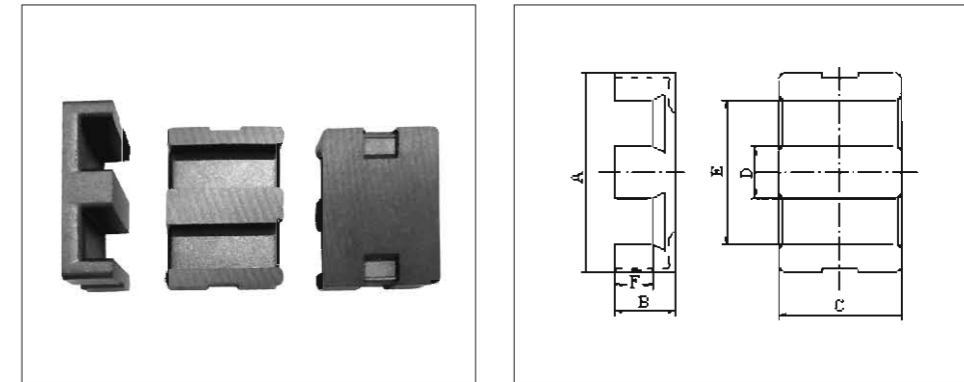


FIG.3

C1	Ae	Le	Amin	Ve	AL(±25%)				重量 g /PRS
					TP4	TP4A	TP4W	TPW33	
0.48	71.56	34.25	71.04	2450.70	4080	4200	4850	5150	6.15
1.51	30.85	46.47	29.38	1433.60	1360	1400	1650	1750	7.30
1.49	31.08	46.27	30.51	1438.20	1420	1460	1700	1820	7.42
0.48	71.56	34.25	71.04	2450.70	4080	4200	4850	5140	12.44
1.49	31.29	46.72	30.51	1461.90	1400	1450	1700	1810	7.33
1.21	39.19	47.60	35.00	1865.40	1600	1650	1920	2050	9.91

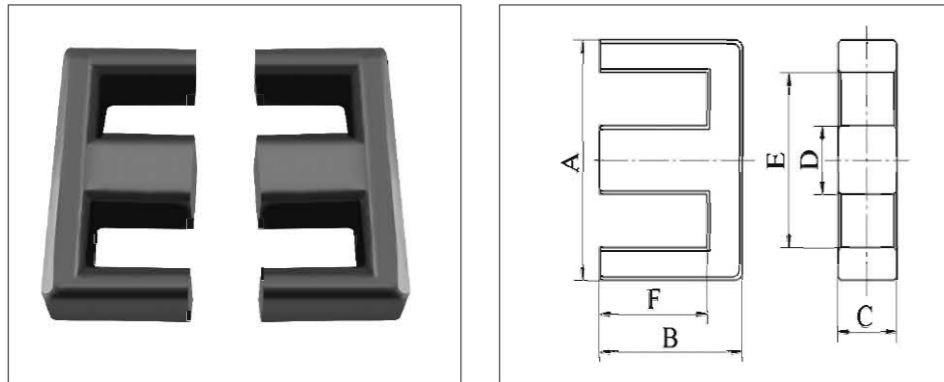


FIG.1

EE 型 / EE Core

型号 TYPE	图例 FIG.	尺寸 Dimensions (mm)					
		A	B	C	D	E	F
EE22.6/24.6/21.8A	1	22.6±0.4	12.30±0.20	21.80±0.20	6.60±0.20	14.9min	8.00±0.20
EE25.3/25.6/10.8	1	25+0.8/-0.2	12.65min	11+0/-0.5	7.5+0/-0.5	18min	9.05min
EE25/14/15E	1	25+0.8/-0.7	7.3+0/-0.35	15.25+0/-0.5	7.5+0/-0.4	17.5+0.8/-0	3.55+0/-0.35
EE25/16/11A	1	25+0.8/-0.7	8+0/-0.5	11+0/-0.6	7.5+0/-0.5	17.5+0.8/-0	3.9+0.5/-0
EE25/18/11	1	25.0+0/-0.5	9.0+0/-0.25	10.5+0/-0.4	7.80±0.20	17.0min	5.0+0/-0.25
EE25/18/11B	1	25.0+0.8/-0.7	9.3+0/-0.5	11.0+0/-0.6	7.5+0/-0.5	17.5+0.8/-0	5.2+0.5/-0
EE25/26/11C	1	25.0+0.8/-0.7	12.8+0/-0.5	11.0+0/-0.5	7.5+0/-0.5	17.5+0.8/-0	8.7+0.5/-0
FF25/26/7P	1	25.0+0.8/-0.7	12.8+0/-0.5	7.5+0/-0.5	7.5+0/-0.5	17.5+0.8/-0	8.7+0.5/-0

C1	Ae	Le	Amin	Ve	AL(±25%)				重量 g /PRS
					TP4	TP4A	TP4W	TPW33	
0.33	159.46	52.48	144.97	8368.30	6100	6300	7440	7960	43.20
0.77	76.79	59.09	75.25	4537.30	2900	3000	3540	3800	22.79
0.32	110.21	35.65	107.25	3929.40	6000	6170	7130	7580	21.00
0.50	77.04	38.56	76.51	2970.44	4050	4170	4840	5150	7.50
0.51	80.92	41.54	79.83	3361.00	4000	4130	4810	5120	16.90
0.56	77.81	43.91	76.51	3416.60	3680	3800	4440	4740	17.30
0.75	77.39	57.76	76.86	4469.90	3000	3100	3680	3950	22.00
1.11	51.84	57.76	51.84	7984.30	2010	2100	2470	2650	15.50

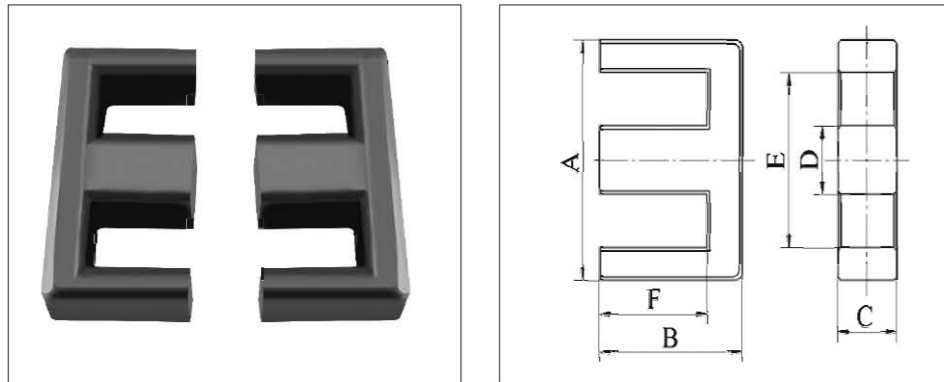


FIG.1

EE 型 / EE Core

型号 TYPE	图例 FIG.	尺寸 Dimensions (mm)					
		A	B	C	D	E	F
EE25/26/7B	1	25.05±0.75	12.55±0.25	7.20±0.30	7.25±0.25	17.5min	8.95±0.25
EE25/20/6BP	1	25.20±0.70	9.35+0.95/-0	6.2+0.45/-0.4	6.2+0.45/-0.6	18.6min	6.90±0.30
EE25.3/25.1/10.8	1	25.30±0.70	12.55±0.25	10.75±0.25	7.20±0.20	17.7min	8.95±0.25
EE25.3/24.9/5B	1	25.30±0.50	12.55±0.25	5.00±0.20	7.00±0.20	18min	21.00±0.25

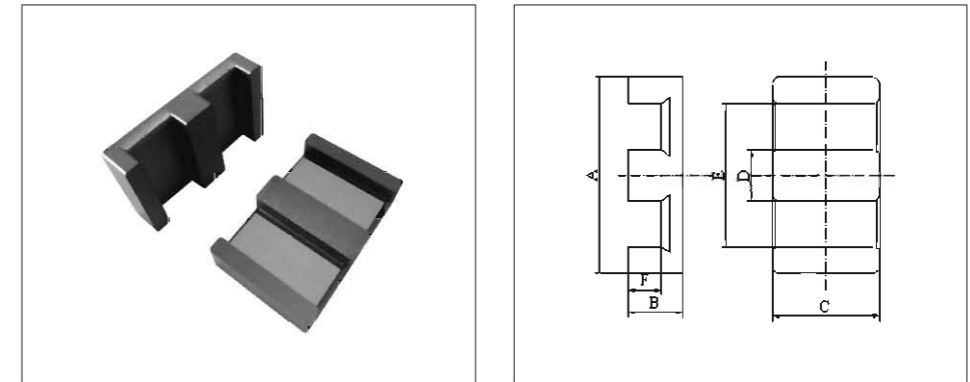


FIG.4

C1	Ae	Le	Amin	Ve	AL(±25%)				重量 g /PRS
					TP4	TP4A	TP4W	TPW33	
1.14	50.86	57.93	48.96	2946.10	1900	1980	2340	2500	15.20
1.35	37.11	50.08	36.51	1858.50	1600	1650	1940	2070	9.70
0.76	76.20	58.17	74.18	4432.60	2900	3000	3530	3780	22.10
1.07	34.64	106.47	34.00	3688.10	800	820	1000	1100	18.20

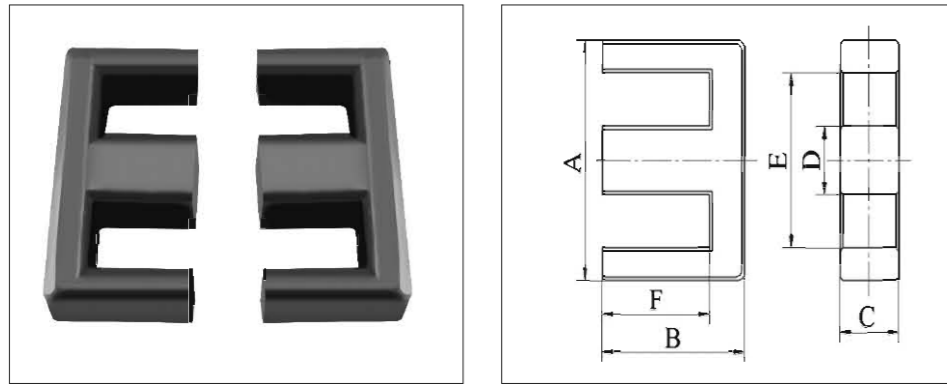


FIG.1

EE 型 / EE Core

型号 TYPE	图例 FIG.	尺寸 Dimensions (mm)					
		A	B	C	D	E	F
EE27.3/31/11.7	1	27.30±0.40	15.30±0.30	11.7+0.15/-0.2	7.7+0.15/-0.2	19.3min	11.4±0.25
EE28/25/9B	1	27.94±0.40	12.36±0.20	8.89±0.25	8.89±0.25	19.94±0.70	8.35±0.20

C1	Ae	Le	Amin	Ve	AL(±25%)				重量 g /PRS
					TP4	TP4A	TP4W	TPW33	
0.78	89.91	69.73	88.90	6269.30	3000	3100	3670	3980	32.00
0.78	73.62	57.26	71.12	4215.60	2800	2890	3430	3670	20.75

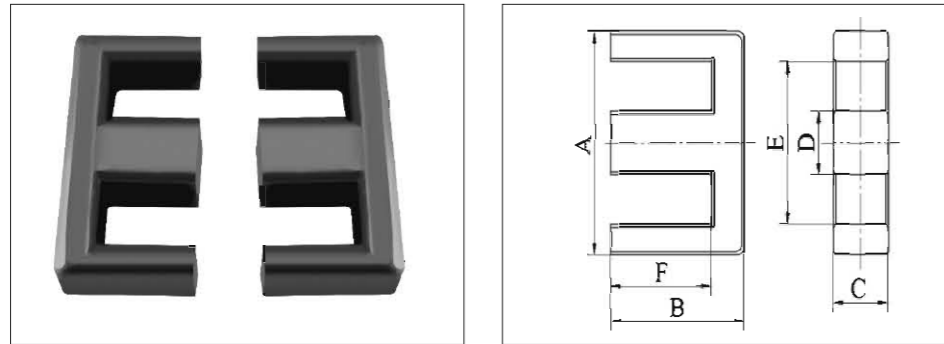


FIG.1

EE 型 / EE Core

型号 TYPE	图例 FIG.	尺寸 Dimensions (mm)					
		A	B	C	D	E	F
EE31/26/9	1	30.70±0.60	13.20±0.20	9.40±0.30	9.40±0.25	21.8min	8.90±0.20
EE31/36/9	1	30.70±0.60	18.50±0.20	9.40±0.30	9.40±0.30	21.6min	14.00±0.20
EE31.2/37/9.4	1	31.20±0.40	18.50±0.20	9.40±0.30	9.40±0.30	22.5min	14.00±0.20
EE31.7/54/9.9A	5	31.70±0.50	27.00±0.20	9.90±0.20	6.30±0.20	7.65±0.2	20.50±0.20
EE32/13/20	4	31.75±0.75	6.35±0.20	20.32±0.40	6.35±0.20	24.5min	3.18±0.25
EE32/17/20	4	31.75±0.75	8.70±0.20	20.32±0.40	6.35±0.20	25.0min	5.53±0.25
EE32/28/20	4	31.75±0.75	14.10±0.20	20.32±0.40	6.35±0.20	25min	10.92±0.25
EE32/24/9	1	32.0+0.9/-0.7	12.1+0.3/-0	9.5+0/-0.7	9.5+0/-0.6	22.7+1/-0	7.2+0.6/-0
EE32/32/11B	1	32.0+0.9/-0.7	16.40±0.30	11.0+0/-0.7	9.20±0.30	22.7min	11.2+0.6/-0
EE32/32/90	1	32+0.9/-0.7	16.10±0.30	9.5+0/-0.7	9.5+0/-0.6	22.7min	11.75±0.3
EE32.4/15.2/14	1	32.40±0.50	7.60±0.25	14.00±0.30	4.90±0.25	27.5±0.5	5.10±0.25

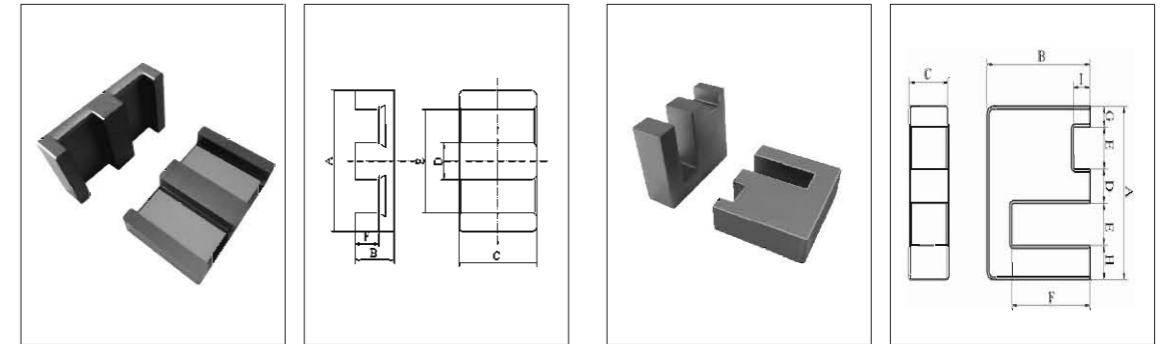


FIG.4

FIG.5

C1	Ae	Le	Amin	Ve	AL(±25%)				重量 g /PRS
					TP4	TP4A	TP4W	TPW33	
0.76	82.05	62.15	78.02	5099.40	2890	3000	3530	3800	26.30
0.99	83.94	82.75	79.90	6945.70	2340	2420	2900	3130	35.70
1.00	83.08	83.28	78.02	6919.20	2270	2350	2820	3040	26.00
									32.00
0.32	129.54	41.64	128.83	5394.30	6450.	6650	7750	8250	27.40
0.40	126.93	51.32	121.92	6514.20	5230	5400	6350	6790	33.80
	129.00	72.40	129.00	9340.00	4200	4320	5200	5600	49.00
0.70	84.21	58.54	81.44	4929.40	3150	3260	3860	4140	30.60
0.77	97.12	74.82	91.59	7266.60	2910	3000	3600	3880	34.76
0.93	80.42	75.10	77.78	6039.70	2460	2550	3050	3280	32.00
0.73	69.32	50.77	68.60	3519.40	2970	3060	3600	3850	17.00

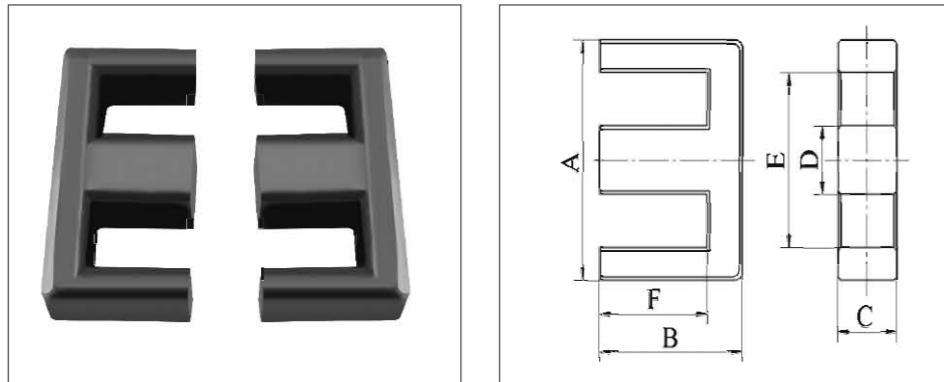


FIG.1

EE 型 / EE Core

型号 TYPE	图例 FIG.	尺寸 Dimensions (mm)					
		A	B	C	D	E	F
EE35/57/9A	1	34.50±0.45	28.60±0.20	9.15±0.25	10.20±0.35	24.15min	23.60±0.20
EE34.6/28.8/9.3A	1	34.60±0.6		9.30±0.25	9.40±0.25	25.4min	
EE35/28/10B	1	34.90±0.70	14.40±0.25	9.53±0.25	9.40±0.25	25.0min	9.80±0.25
EE35/18/40	1	35.00±0.60	8.80±0.20	40.0±1.00	7.00±0.20	28.5±0.5	5.00±0.30
EE35/35/10	1	35.00±0.60	17.50±0.30	10.00±0.30	10.00±0.30	24.5min	12.50±0.30
EE35/40/10	1	35.00±0.40	24.40±0.10	10.00±0.30	10.00±0.30	24.5min	18.40±0.20
EE35.6/39/10A	1	35.60±0.50	19.60±0.20	10.00±0.20	10.50±0.20	25.40±0.40	14.25±0.20
EE36/36/11B	1	36+1/-0.7	18+0/-0.4	11.5+0/-0.5	10.2+0/-0.5	24.5+1.2/-0	12+0.6/-0
EE36/36/15C	1	36+1/-0.7	18+0/-0.4	15.2+0/-0.7	10.2+0/-0.5	24.5min	12min
EE37.7/14.4/16	1	37.7+0.6/-0.4	7.20±0.20	16.00±0.35	4.90±0.25	32.5+0.6/-0.4	4.70±0.20
EE38/16/25A	4	38.10±0.76	8.26±0.25	25.40±0.51	7.6±0.2	30.23min	4.45±0.25
EE40/35/12B	1	40.00±0.70	17.30±0.30	12.0+0/-0.6	12.0+0/-0.6	26.8min	10.30±0.30
EE40/35/12C	1	40.00±0.70	17.30±0.30	11.8+0/-0.5	12.0+0/-0.5	26.8min	10.3+0.3/-0.2
EE40/43.2/11.7A	1	40.00±0.60	26.40±0.30	11.70±0.30	11.70±0.350	27min	20.30±0.30
EE40/44.8/11.2	1	40.00±0.80	27.2+0.6/-0	11.5+0/-0.6	12+0/-0.6	27.5min	20.2+0.6/-0
EE40/45/12	1	40.0+0.9/-0.5	22.30±0.30	12.0+0/-0.7	12.0+0/-0.7	26.8min	15.30±0.30
EE41/34/13A	1	40.60±0.60	16.50±0.30	12.50±0.30	12.50±0.30	28.6min	10.50±0.30
EE42/19/15C	1	42+1/-0.2	9.50±0.30	15.0+0.2/-0.4	12.2+0/-0.5	29.5+1.2/-0	3.80±0.30
EE42/26/15	1	42.0+1.0/-0.2	13.20±0.20	15.0+0.2/-0.4	12.2+0/-0.5	29.5+1.2/-0	7.40±0.30
EE42/30/15	1	42+1/-0.7	15.00±0.20	14.90±0.30	12.10±0.40	30.10±0.60	9.2+0.3/-0.4
EE42/30/20	1	42.0+1.0/-0.7	15.00±0.20	20.0+0/-0.8	12.10±0.40	30.10±0.60	9.20±0.30

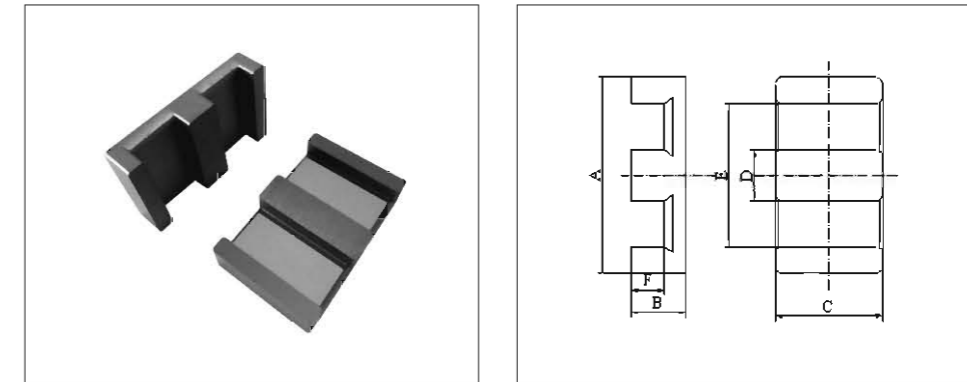
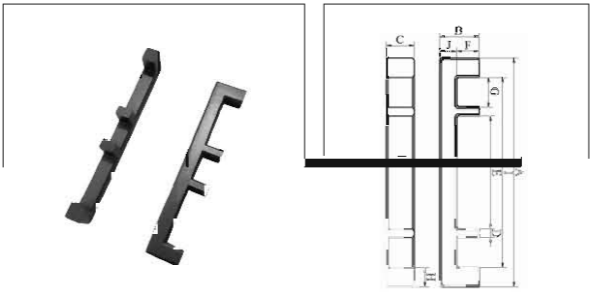
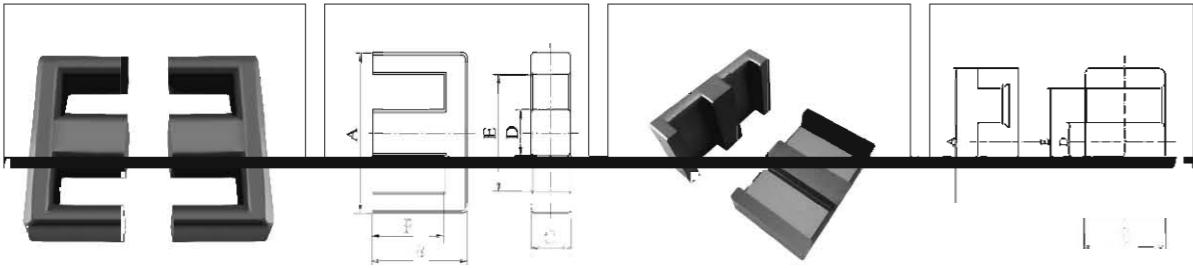


FIG.4

C1	Ae	Le	Amin	Ve	AL(±25%)				重量 g / PRS
					TP4	TP4A	TP4W	TPW33	
1.36	91.84	124.53	90.58	11436.40	1860	1930	2340	2540	55.75
0.83	84.12	70.00	79.98	5888.50	2680	2780	3300	3560	18.09
0.79	88.29	70.02	87.68	6182.30	2940	3040	3620	3900	31.60
0.18	285.54	52.59	260.00	15015.70	10900	11300	13300	14240	77.10
0.81	99.64	80.77	99.00	8047.50	2950	3050	3660	3950	40.80
0.79	113.68	89.61	100.00	10187.30	2730	2830	3400	3670	46.00
0.85	104.35	88.41	102.00	9225.10	2820	2920	3500	3790	47.70
0.68	119.25	81.06	111.94	9665.80	3300	3450	4130	4450	49.16
0.52	157.04	80.98	147.76	12716.50	4390	4550	5460	5880	66.00
0.67	80.28	54.27	78.40	4357.10	3200	3320	3920	4200	21.10
0.30	190.2	52.90	180.30	10066.30	7550	7800	9200	9830	51.31
0.52	148.23	77.13	136.89	11433.00	4240	4390	5250	5660	60.00
0.53	145.88	77.32	135.71	11279.30	4200	4350	5200	5600	60.00
0.69	141.28	96.79	136.89	13673.90	3500	3630	4380	4730	69.80
0.72	136.76	97.95	131.04	13395.10	3320	3440	4150	4480	68.80
0.67	145.54	97.34	135.72	14167.30	3450	3580	4320	4670	73.10
0.52	149.22	77.41	142.50	11551.40	4400	4560	5450	5870	59.30
0.30	174.72	51.79	169.86	9049.10	7230	7460	8800	9400	23.77
0.37	177.27	66.36	172.84	11762.80	6050	6260	7460	8000	60.40
0.42	176.6	73.49	171.35	12977.50	5520	5720	6830	7350	65.58
0.31	233.08	73.37	227.36	17101.50	7340	7600	9080	9770	87.00



[Redacted text block]

[Redacted text block]

[Redacted text block]

[Redacted text block]

[Redacted text block]

[Redacted text block]

[Redacted text block]

[Redacted text block]

[Redacted text block]

[Redacted text block]

[Redacted text block]

[Redacted text block]

[Redacted text block]

[Redacted text block]

[Redacted text block]

[Redacted text block]

[Redacted text block]

[Redacted text block]

[Redacted text block]

[Redacted text block]

[Redacted text block]

[Redacted text block]

[Redacted text block]

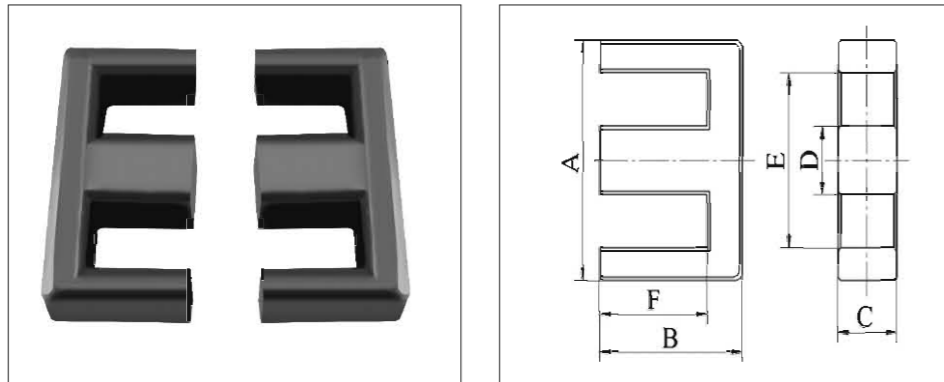


FIG.1

EE 型 / EE Core

型号 TYPE	图例 FIG.	尺寸 Dimensions (mm)					
		A	B	C	D	E	F
EE70/66/32	1	70.50±1.00	33.2+0/-0.5	32+0/-0.8	22+0/-0.7	48+1.5/-0	21.9+0.7/-0
EE80/76/20	1	80.00±1.60	38.10±0.30	19.80±0.40	19.80±0.40	59.1min	28.20±0.3
EE16.4/18.5/4.5	1	16.35±0.40	9.25±0.20	4.50±0.20	4.50±0.20	11.4min	7.05±0.20
EE25/26/7	1	25.05±0.75	12.55±0.25	7.20±0.30	7.25±0.25	17.9±0.4	8.95±0.25

C1	Ae	Le	Amin	Ve	AL(±25%)				重量 g /PRS
					TP4	TP4A	TP4W	TPW33	
0.22	683.00	150.00	676.00	102391.00	11700	12200	14900	16100	521.23
0.47	393.40	184.18	392.04	72454.80	5650	5880	7200	7840	360.00
3.10	20.21	42.50	19.80	859.00	970	1000	1170	1250	4.31
1.11	51.84	57.76	51.48	2994.20	2000	2080	2460	2640	15.40