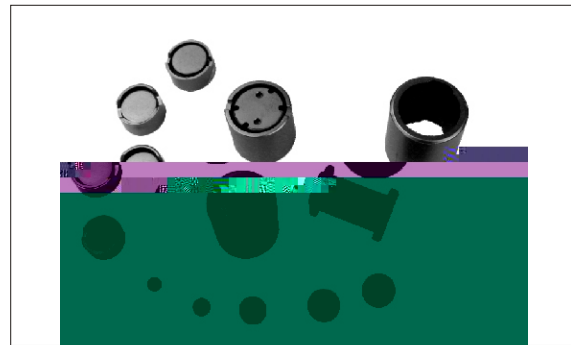


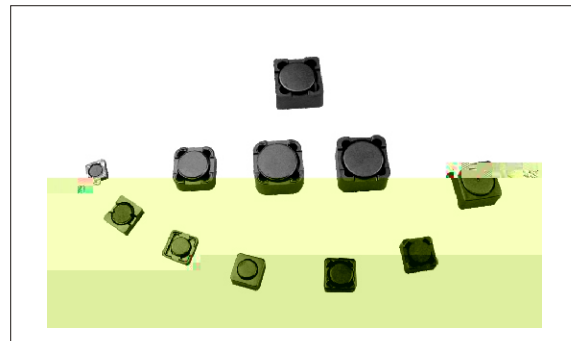
SMD Series



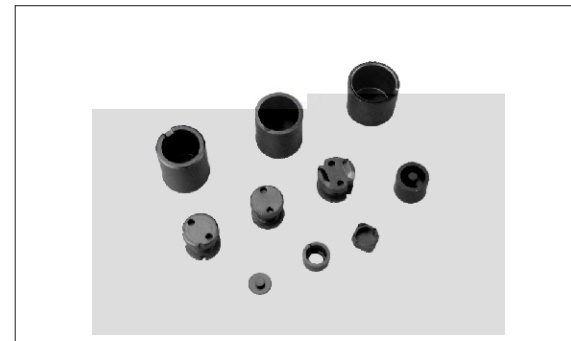
SMD1



SMD2



SMD3

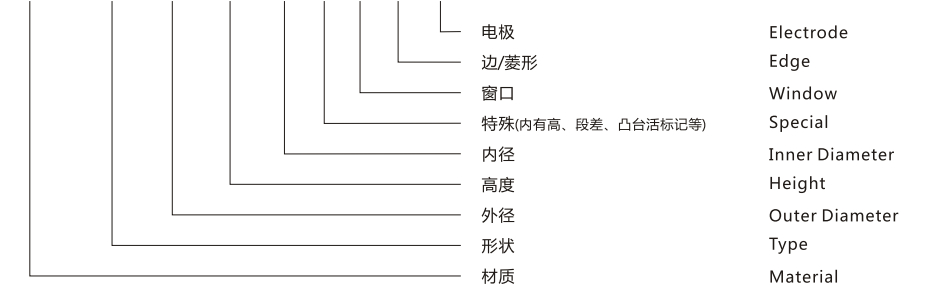


SMD4

RI Type Core

- 命名表示 / Ordering Core System

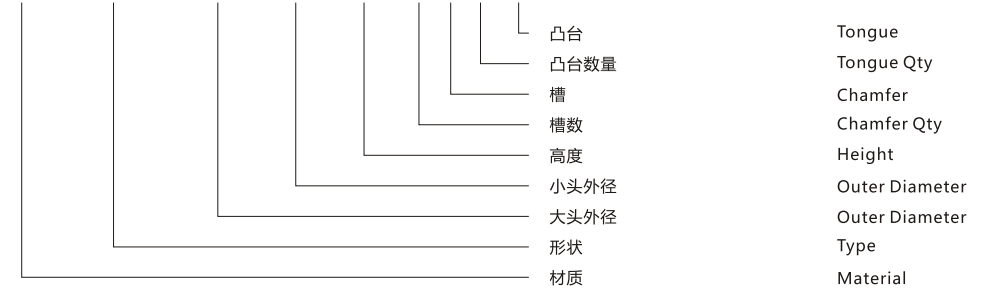
TN40H RI - A - B - C S W E-EL



DRB Type Core

- 命名表示 / Ordering Core System

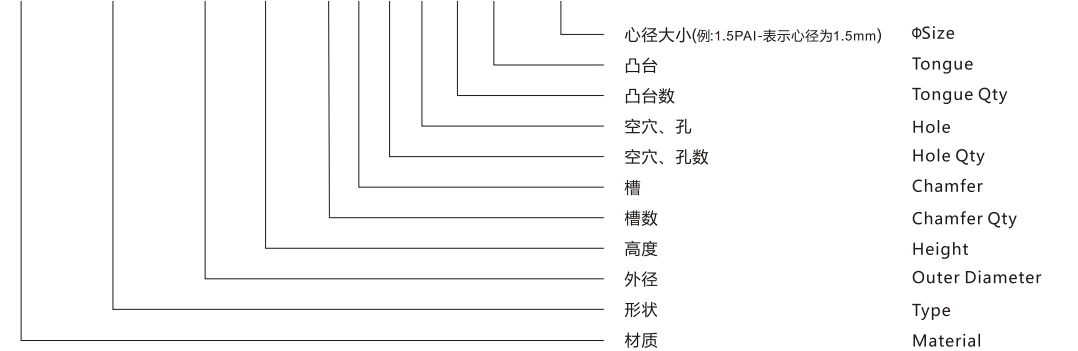
TN25H DRB - A1 - A2 x B - n C n-T

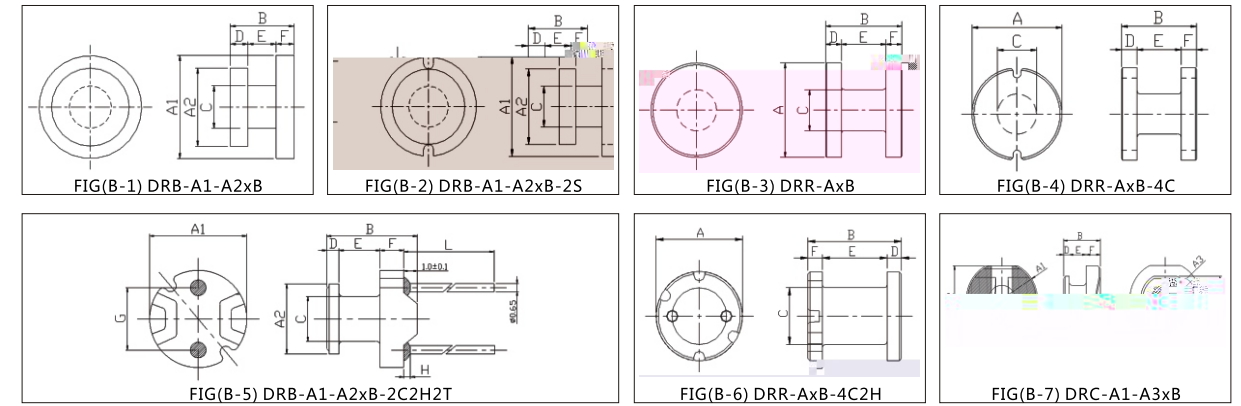
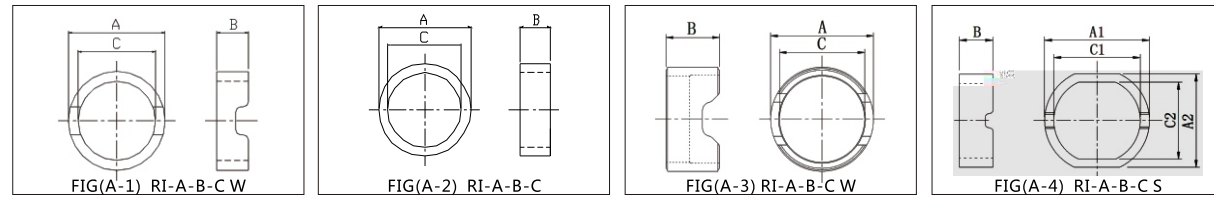


DRR Type Core

- 命名表示 / Ordering Core System

TN25H DRR - A x B - n C n H n-T-XPAI





型号 TYPE	尺寸 Dimensions (mm)				图例 FIG
	A1 (A)	A2	B	C1 (C)	
RI-3.8-1.1-3.1W					
RI-4.1-1.5-3.05W					
RI-5.9-1.8-4.9W					
RI-5.9-2.2-4.9W					
RI-6.8-1.95-5.7W					
RI-6.8-2.15-5.8W					
RI-6.8-2.35-5.7W					
RI-6.8-3.7-5.8W					